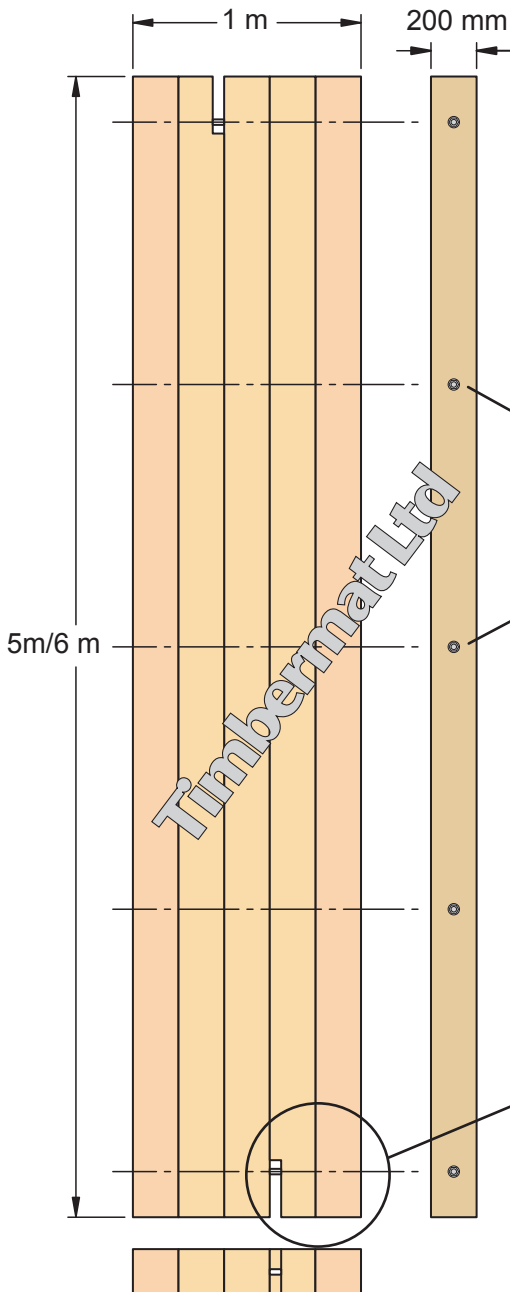


## 200mm x 1m x 5m/6m European & Tropical Hardwood Mats & Marine Tropical Harwood Mats

Timber mats are constructed from either oak or tropical hardwoods.

Our 200mm mats are capable of carrying up to 75 tons per mat, on reasonably flat ground.

*NB Carrying capacities are estimated & subject to ground conditions.*



Countersunk steel bolt & washer (M24)

**Lifting Point**  
M24 steel bar

200 mm

All timbers are purchased from legal sustainable sources.

FSC Registration number: CUC-COC-817978

