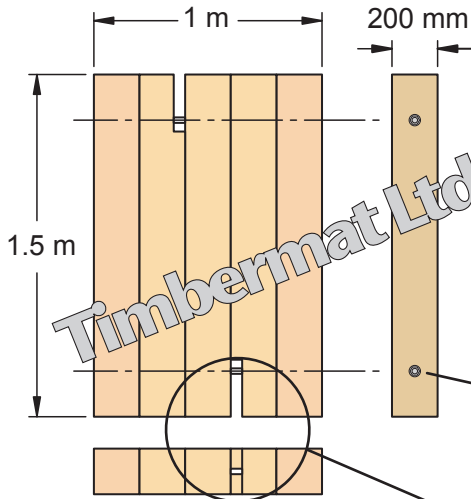


### 200mm x 1m x 1.5m Heavy Duty Crane Pads



Manufactured using Azobe(Ekki), a Durability Class 1 Tropical Hardwood.

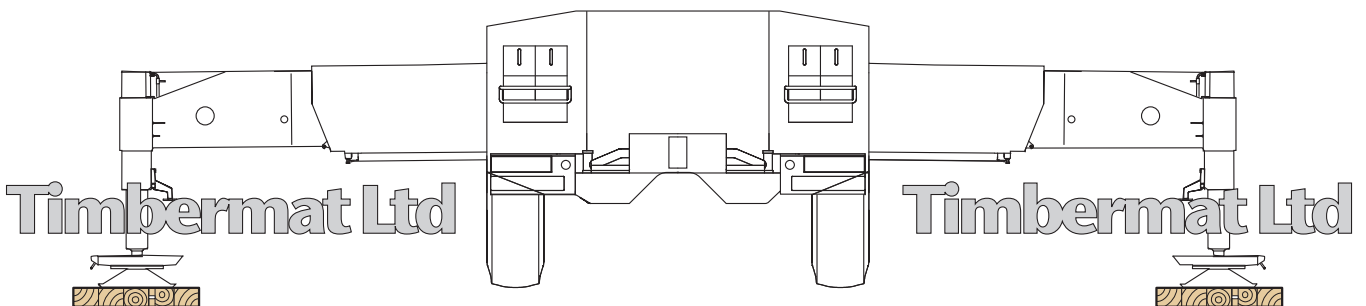
These pads will form a safe stable platform for your outriggers.

Manufactured with two lifting points, enabling the pad to be easily lifted into place.

Countersunk steel bolt & washer (M24)

**Lifting Point**  
M24 steel bar

200 mm



Usage of crane outrigger pads is the responsibility of the crane operator.

All timbers are purchased from legal sustainable sources.

FSC Registration number: CUC-COC-817978



The mark of responsible forestry