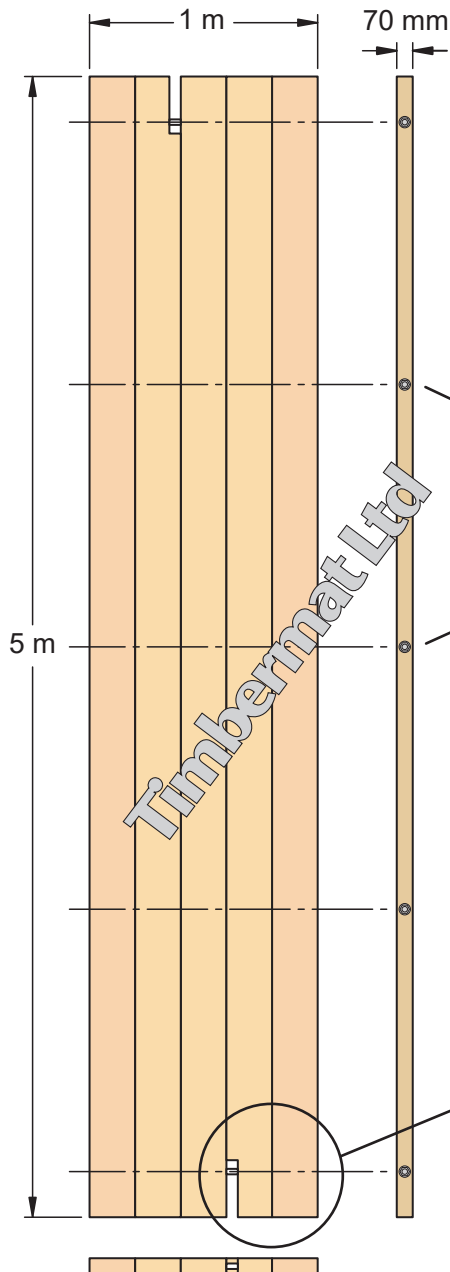


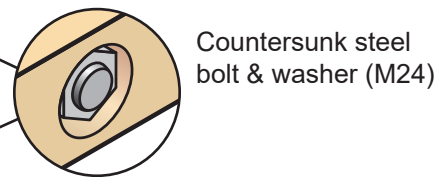
70mm x 1m x 5m Oak Hardwood & Tropical Hardwood Mat



Timber mats are constructed from either oak or tropical hardwoods.

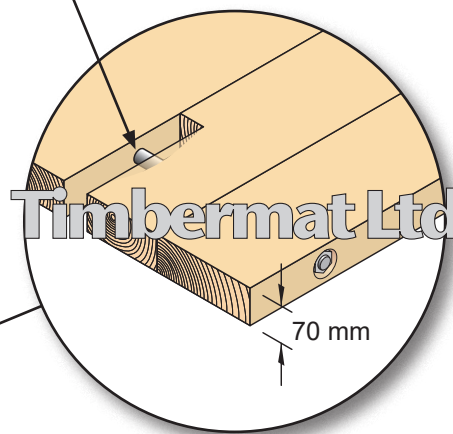
Our 70mm mats are capable of carrying up to 45 tons per mat, on reasonably flat ground.

NB Carrying capacities are estimated & subject to ground conditions.



Countersunk steel bolt & washer (M24)

Lifting Point M24 steel bar



All timbers are purchased from legal sustainable sources.

American Oak Hardwood is SFI certified (Sustainable Forestry Initiative).

FSC Registration number: CUC-COC-817978



The mark of responsible forestry