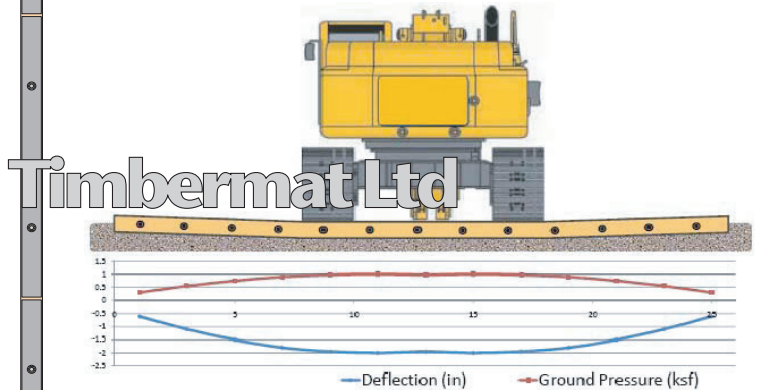


## Emtek® 89mm x 1.75m x 4.9m

The emtek® (31F-HD), products are designed from an engineering perspective to provide structural and environmental solutions to access and support needs. Engineered ground pressure distribution and “clean” materials construction reduces the potential for environmental non-compliance issues on the job-site. Loading capacity on firm ground at 4123psi.



All emtek® products are tested in accordance with ASTM 5456 and therefore can be used to specifically calculate ground pressure conditions and deflections under given loads. This helps onsite personnel to meet depression limits associated with root structure, soil mixing and other environmentally sensitive requirements.

Based on the high strength of the laminated billet construction used in the emtek® products, mat thickness can be significantly less than standard timber mats. Reduced thickness means less weight and more mats per truck. This results in an average reduction of fuel consumption of 50%.

As part of our continuous product development we reserve the right to amend specifications without prior notice. © Timbermat Ltd

All timbers are purchased from legal sustainable sources.

American Oak Hardwood is SFI certified (Sustainable Forestry Initiative).

FSC Registration number: CUC-COC-817978

