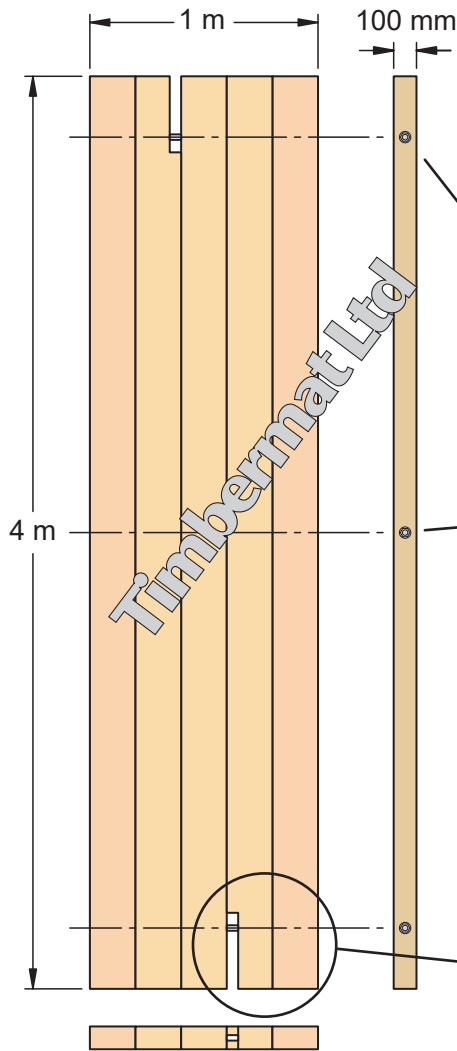


100mm x 1m x 4m European & Tropical Hardwood Mats

Timber mats are constructed from European and tropical hardwoods.

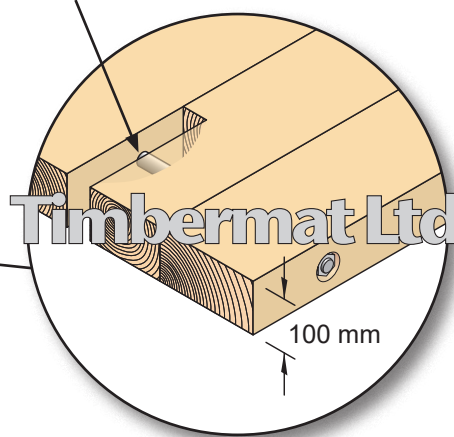
Our 100mm mats are capable of carrying up to 55 tons per mat, on reasonably flat ground.

NB Carrying capacities are estimated & subject to ground conditions.



Countersunk steel bolt & washer (M24)

Lifting Point M24 steel bar



100 mm

All timbers are purchased from legal sustainable sources.

FSC Registration number: CUC-COC-817978

